

Euronova International srl



PNEUMATIC PLUGS TO BLOCK DRAINAGE AND SEWER FLOW DURING MAINTENANCE OR TESTING OF GRAVITY-FLOW PIPELINES

Price List 2022



MECHANICAL PLUGS TO BLOCK DRAINAGE AND SEWER FLOW DURING MAINTENANCE AND FOR PRESSURE WATER AND GAS

Price List 2022

Euronova International srl - Via Michele Mercati 14 - 50139 Firenze
tel. +39 - 055 - 487741
Web Site : www.euronova.net



fax +39 - 055 - 492797
e-mail : info@euronova.net

INFLATABLE PLUGS WITH ENLARGED BY - PASS FOR GRAVITY-FLOW PIPELINES



DESCRIPTION - Inflatable plug manufactured out of high thickness and high resistance rubber for gravity-flow pipelines with enlarged by - pass ND mm for pipes having internal diameter from mm up to mm

Price list 2022

model	pipe internal diameter		by-pass	weight kg.	length mm.	inflation pressure bar	Price Euro
	minimum mm.	max mm.					
15VP30 - 2	150	300	2"	5	540	1,5	1500,00
20VP40 - 4	200	400	4"	8	600	1,5	2200,00
30VP52 - 6	296	525	6"	19	630	1,5	2900,00
35VP60 - 4	350	600	4"	21	830	1,5	3700,00
35VP60 - 6	350	600	6"	21	830	1,5	3800,00
50VP100 - 4	500	1000	4"	42	1150	1,5	5900,00
50VP100 - 6	500	1000	6"	42	1150	1,5	6000,00
50VP100 - 8	500	1000	8"	42	1150	1,5	6100,00
60VP120 - 6	600	1200	6"	59	1450	1,5	7800,00
60VP120 - 8	600	1200	8"	66	1450	1,5	8300,00
75VP150 - 6	750	1500	6"	79	2300	1	12200,00
75VP150 - 8	750	1500	8"	83	2300	1	12800,00
80VP180 - 6	800	1800	6"	121	3000	1	17100,00
80VP180 - 8	800	1800	8"	125	3000	1	17400,00

Specification can be changed without warning

Control panel complete with overpressure and vent valve, extension pipe 10m and gauge	360,00
---	---------------



TECHNICAL DATA

model	Max pressure in pipeline bar															
	150	200	250	300	350	400	500	600	800	900	1000	1200	1500	1600	1800	
15VP30	1	0,8	0,7	0,6												
20VP40		1,1	0,9	0,7	0,6	0,6										
30VP52				1	0,9	0,7	0,5									
35VP60					0,9	0,8	0,7	0,6								
50VP100							1,1	0,9	0,7	0,6	0,6					
60VP120								1	0,8	0,6	0,6	0,5				
75VP150									1	0,9	0,9	0,7	0,4			
80VP180										1	1	1	0,8	0,6	0,5	0,4



INFLATABLE PLUGS WITH STANDARD BY - PASS FOR GRAVITY-FLOW PIPELINES

DESCRIPTION - Inflatable plug manufactured out of high thickness and high resistance rubber for gravity-flow pipelines with standard by - pass ND mm for pipes having internal diameter from mm up to mm

Price list 2022

model	pipe internal diameter		by-pass FF	weight kg.	length mm	inflation pressure bar	for sewage water Price Euro
	minimo mm.	max mm.					
07BP15	70	150	½"	2	300	2,5	800,00
10BP20	100	200	1"	3	500	2,5	1000,00
15BP30	150	300	1"	5	540	2,5	1300,00
20BP40	196	400	2"	7	600	2,5	1400,00
30BP52	288	525	2"	12	630	2,5	1900,00
35BP60	338	600	2"	16	830	2,5	2500,00
50BD100	488	1000	2"	33	1150	1,5	4200,00
60BD120	600	1200	4"	56	1450	1,5	5900,00
75BB150	750	1500	4"	91	2300	1	9200,00
80BB180	800	1800	4"	117	3000	1	14500,00
100BB240	1000	2400	4"	340	4000	1	30400,00

Specification can be changed without warning

oil resistant rubber price on request

Control panel complete with overpressure and vent valve, extension pipe 10m and gauge	360,00
---	---------------

TECHNICAL DATA

model	Max pressure in pipeline bar															
	100	150	200	250	300	350	400	500	600	800	1000	1200	1500	1600	1800	
10BP20	2,2	1,7	1,3													
15BP30		2,2	2	1,4	1,2											
20BP40			2,2	2	1,7	1,5	1,2									
30BP52				2	1,7	1,5	1,2									
35BP60					2,1	1,9	1,6	1,3								
50BD100							1	0,8	0,6	0,5						
60BD120								1	0,7	0,6	0,5					
75BB150									1	0,9	0,8	0,5				
80BB180										1	1	0,9	0,6	0,5	0,4	



INFLATABLE PLUGS FOR GRAVITY-FLOW PIPELINES

DESCRIPTION - Inflatable plug to temporarily block gravity-flow or test pipelines in compliance with the Regulations EN 1610 , manufactured out of high thickness and high resistance rubber , for pipes having internal diameter from mm up to mm .



Price list 2022

model	Pipe internal diameter		weight kg.	length mm.	inflation pressure bar	for sewage water Price Euro
	minimum mm.	max mm.				
04SP07	40	70	0,3	160	2,5	260,00
07SP15	70	150	0,5	300	2,5	340,00
10SP20	96	200	1,4	500	2,5	400,00
15SP30	145	300	2,6	540	2,5	600,00
20SP40	196	400	3,6	600	2,5	620,00
20SP50	196	500	4,5	600	2,5	960,00
30SP52	288	525	7	630	2,5	960,00
30SP60	288	600	8	630	2,5	1040,00
35SP60	338	600	10	830	2,5	1040,00
50SD100	488	1000	20	1150	1,5	2400,00
60SD120	600	1200	38	1450	1,5	3600,00
75SB150	750	1500	75	2300	1	7400,00
80SB180	800	1800	106	3000	1	11400,00
100SB240	1000	2400	320	4000	1	26000,00

Specification can be changed without warning oil resistant rubber price on request other pressure on request

Control panel complete with overpressure and vent valve, extension pipe 10m and gauge

360,00

TECHNICAL DATA

Model	Max pressure in pipeline bar																		
	100	150	200	250	300	350	400	500	600	800	1000	1200	1400	1500	1600	1800	2000	2200	2400
10SP20	2	1,7	1,3																
15SP30		2,2	2	1,4	1,2														
20SP40			2,2	2	1,7	1,5	1,2												
20SP50			2,3	2,2	2,1	1,7	1,5	0,7											
30SP52				2	1,7	1,5	1,2												
30SP60					2,2	2	1,7	1,2	0,4										
35SP60						2,1	1,9	1,6	1,3										
50SD100								1	0,8	0,6	0,5								
60SD120									1	0,7	0,6	0,5							
75SB150										1	0,9	0,8	0,6	0,5					
80SB180										1	1	0,9	0,7	0,6	0,5	0,4			
100SB240											0,9	0,9	0,9	0,8	0,8	0,7	0,6	0,5	0,5

INFLATABLE PLUGS FOR SMALLER DIAMETER PIPELINES

DESCRIPTION - Inflatable plug to temporarily block gravity-flow or test pipelines for smaller diameter . All plugs are made of natural and synthetic rubber compound and are equipped with a tyre inflation valve; for pipes having internal diameter from mm up to mm .



Price list plugs stop flow 2022

model	pipe internal diameter		pipe max pressure bar	weight kg.	length mm.	inflation pressure bar	inflation valve	Price euro
	minimum mm.	max mm.						
20ZM33	20	33	1,2	0,1	65	2,5	R 1/8"	78,00
33ZM40	33	40	1,2	0,1	70	2,5	R 1/4"	82,00
46ZM77	46	77	1,2	0,1	80	2,5	R 1/4"	112,00
71ZM102	71	102	1,2	0,3	100	2,5	R 1/4"	122,00
86ZM153	86	153	1,2	0,5	165	2,5	R 1/4"	250,00

Specification can be changed without warning

Price list plugs with by-pass 2022

model	pipe internal diameter		pipe max pressure bar	weight kg.	length mm.	inflation pressure bar	by-pass	Price euro
	minimum mm.	max mm.						
71SM102	71	102	1,2	0,5	100	2,5	1/2"	420,00
86SM153	86	153	1,2	0,8	165	2,5	1/2"	460,00

Specification can be changed without warning

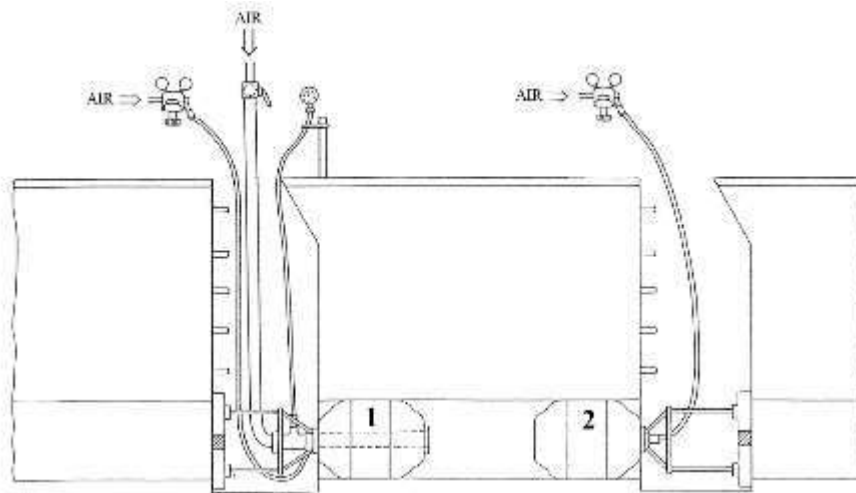


stop flow ZM

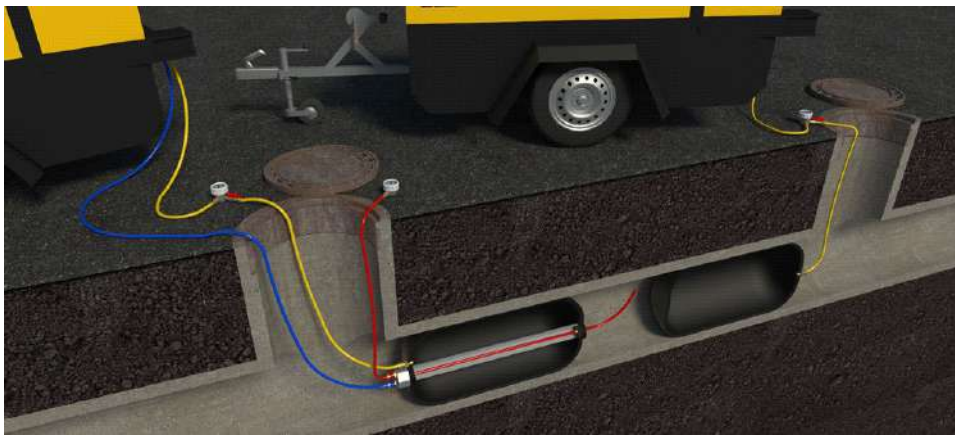


by-pass flow SM

AIR PIPELINE TEST KIT



This test is regulated by UNI EN 1610 standards, method 'L', and is the simplest, most cost-effective test. If the pipes do not pass the test, the water test must be carried out as described in more detail in the standard.



DESCRIPTION : supply of gravity pipeline air test kit in compliance with UNI EN 1610.

The kit comprises: 1 blind stopper and one stopper with bypass made of reinforced rubber, 2 inflation pipes complete with control panel , 1 adapter for stopper with bypass, 1 measurement tube with gauge, 1 tube for pressurizing the pipeline with related fittings.

Price list air test kit 2022

model	pipe internal diameter mm.		inflation pressure bar	Price euro
	minimum	max		
10LK20	96	200	2,5	2900,00
15LK30	145	300	2,5	3400,00
20LK40	196	400	2,5	3900,00
30LK52	288	525	2,5	4700,00
35LK60	338	600	2,5	5400,00
50LK100	488	1000	1,5	8400,00
60LK120	600	1200	1,5	11500,00
75LK150	750	1500	1	17800,00

Specification can be changed without warning



HOW TO PROCEED

Only qualified personnel are allowed to work with stop plugs.

Before starting the work, check the inner diameter of the pipe and choose a stopper of suitable size.

Never use a stopper with a larger diameter than that defined. Use of these stoppers is permitted only with circular sections.

Clean the pipe carefully to remove any sharp or irregularly-shaped parts before inserting the stopper.

Make a visual inspection of the stopper to check for any irregularities.

Fit the accessories required for the test.

When assembling the stoppers in the pipes, cut off the flow of liquids.

Insert either the stopper with bypass (1) and the blind stopper (2) in the ends of the pipe.

Check correct introduction of the stopper in the pipe and alignment.

Start the inflation procedure up to the pressure permitted by the stoppers.

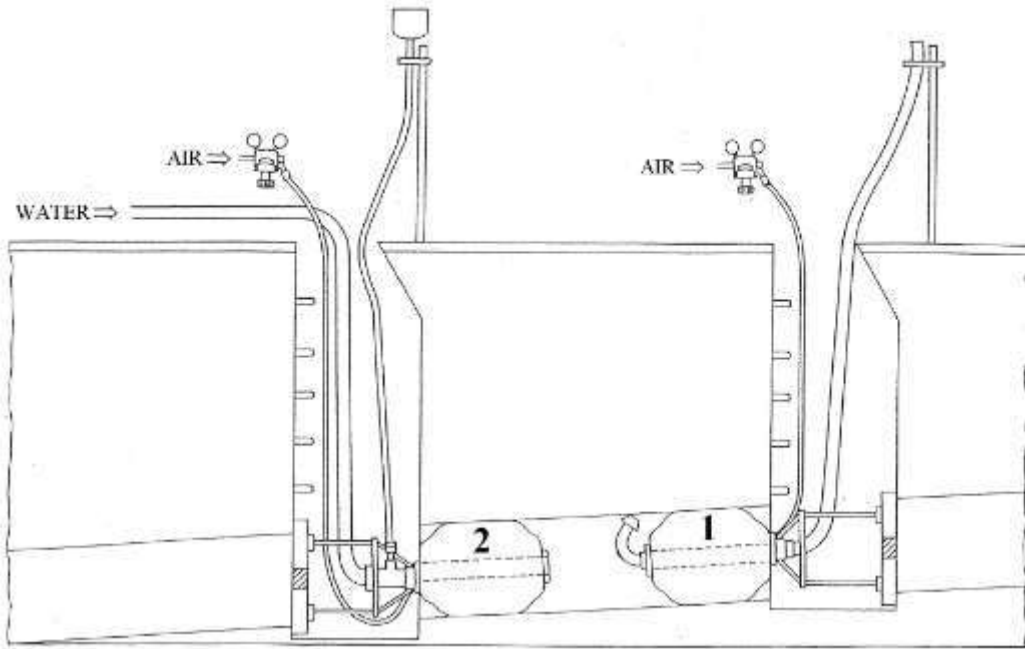
Do not stand close to the stopper.

Once the stoppers have been correctly positioned, inflated and securely fastened, the test can be carried out as required by EN 1610

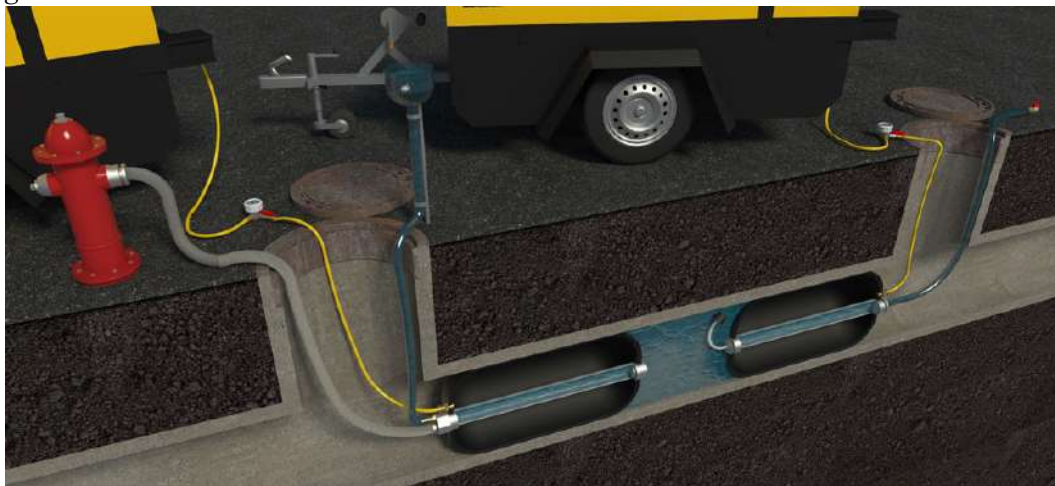
Fill the stopper with air via the bypass and follow the instructions of the standard.

On completion of the test, remember to vent first of all the air and then to deflate the stoppers. Remember to wash and dry the stoppers and the equipment used and store these in a dry environment at a distance from sources of heat and in the dark.

WATER PIPELINE TEST KIT



This test is regulated by UNI EN 1610 standards, method 'W' and can be used to detect the leakage point of a pipeline that has not passed the air test or, more simply, as a run-off test. It differs from the air test method as its takes much longer and also for the complex problems of procuring and disposing of the water necessary for testing , in particular in the case of large diameters.



DESCRIPTION : supply of water pipeline test kit for gravity pipes in accordance with the UNI EN 1610 standard. The kit comprises: 2 stoppers with by-pass made of reinforced rubber, 2 inflation pipes complete with control panel, 1 adapter for stopper with bypass, 1 transparent measurement pipe, 1 float.

HOW TO PROCEED

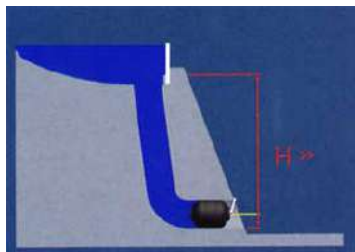
Only qualified personnel are allowed to work with stop plugs. Before starting the work, check the inner diameter of the pipe and choose a stopper of suitable size. Never use a stopper with a larger diameter than that defined. Use of these stoppers is permitted only with circular sections. Clean the pipe carefully to remove any sharp or irregularly-shaped parts before inserting the stopper. Make a visual inspection of the stopper to check for any irregularities. Fit the accessories required for the test. When assembling the stoppers in the pipes, cut off the flow of liquids. Insert the vent-stopper (1) in the upstream sump pit and the delivery-stopper (2) in the downstream sump pit. Check correct introduction of the stopper in the pipe and alignment. Start the inflation procedure up to the pressure permitted by the stoppers. Do not stand close to the stopper. Once the stoppers have been correctly positioned, inflated and securely fastened, the test can be carried out as required by UNI EN 1610. Fill with water from the downstream delivery-stopper (2) until the levels are reached. On completion of the test, remember to first of all drain the water and then to deflate the stoppers. Remember to wash and dry the stoppers and the equipment used and store these in a dry environment at a distance from sources of heat and in the dark.

Price list water test kit 2022

model	pipe internal diameter		inflation pressure bar	PRICE Euro
	minimum mm.	max mm.		
10WK20	96	200	2,5	3600,00
15WK30	145	300	2,5	4200,00
20WK40	196	400	2,5	4700,00
30WK52	288	525	2,5	5600,00
35WK60	338	600	2,5	6800,00
50WK100	488	1000	1,5	10400,00
60WK120	600	1200	1,5	14200,00
75WK150	750	1500	1	21800,00

Specification can be changed without warning

INFLATABLE PLUGS FOR HIGHT PRESSURE PIPE HP 6 – 12 bar



DESCRIPTION - Inflatable plug to temporarily block the flow or test pipelines with hight pressure, manufactured out of strong thickness and high resistance rubber, for pipes having internal diameter from mm up to mm and pressure HP.....



Plugs HP 6 bar - price list 2022

model	pipe internal diameter		max back pressure bar	lenght mm.	inflation pressure bar	Price euro
	minimum mm.	max mm.				
10H6P15	98	150	3	535	6	860,00
15H6P20	148	200	3	575	6	980,00
20H6P30	198	300	3	635	6	1120,00
35H6P50	346	500	3	865	6	1800,00
50H6P60	492	600	3	1185	6	3940,00

Specification can be changed without warning

Plugs HP 12 bar - price list 2022

model	pipe internal diameter		max back pressure bar	lenght mm.	inflation pressure bar	Price euro
	minimum mm.	max mm.				
10H12P12	98	125	10	540	12	980,00
15H12P15	148	150	10	580	12	1120,00
20H12P25	198	250	10	640	12	1240,00
30H12P35	290	350	10	670	12	1720,00
35H12P40	340	400	10	870	12	2100,00
50H12P50	484	500	10	1190	12	4300,00

Specification can be changed without warning

ELLIPTICAL PLUGS FOR GAS AND WATER

VOCE DI CAPITOLATO : inflatable elliptical plug(blocking or with by-pass) suitable for insertion in limited spaces such as sockets or derivations for testing or temporary occlusion of gas or water pipes; made of thick rubber with stainless and non-sparking metal parts; for ducts with internal diameter from.... mm to mm



Price list 2022 – blocking plug

pipe internal diameter minimum mm.	max mm.	max back pressure bar	entry hole mm	inflation pressure bar	model	weight kg.	lenght mm.	Price Euro
80	130	1	50	2,5	08G13	0,4	360	370,00
100	160	1	60	2	10G16	0,6	420	380,00
145	210	1	80	2	15G21	0,8	510	430,00
200	315	1	100	2	20G31	1,3	730	550,00
315	500	0,8	125	1,5	31G50	1,5	950	990,00

Specification can be changed without warning

Price list 2022 – plug with by-pass

model	weight kg.	lenght mm.	by-pass mm.	Price Euro
08GM13	0,9	570	5	470,00
10GM16	1,0	645	7	480,00
15GM21	1,3	760	7	520,00
20GM31	1,8	1060	7	660,00
31GM50	2,0	1280	7	1120,00

PLUGS WITH ENLARGED BY-PASS



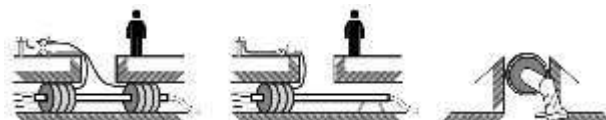
DESCRIPTION : plug with large by-pass for reducing the diameter of the duct and controlling the flow; body made of rubber for by-pass insertion with PVC pipes or similar for ducts with internal diameter from mm to mm, by-pass from mm



Price list 2022

model	pipe internal diameter		By-pass max mm	weight kg.	lenght mm.	inflation pressure bar	Price euro
	minimum mm.	max mm.					
40BP-L100	400	1000	250	15	600	1	8500,00
60BP-L150	600	1500	460	25	720	1	12400,00

Specification can be changed without warning



BI-CONICAL PLUGS FOR GRAVITY FLOW



DESCRIPTION : bi-conical plug for the temporary closure of large gravity pipes; body made of very thick reinforced rubber for ducts with internal diameter from mm to mm.



Price list 2022

model	pipe internal diameter		max back pressure bar	weight kg.	length mm.	inflation pressure bar	blocking plug		plug with by-pass 2"	
	minimum mm.	max mm.					Price Euro	Price Euro		
40CP100	400	1000	0,5	16 – 23	2000	1	7300,00	9600,00		
60CP150	600	1500	0,5	36 – 43	3000	1	9900,00	12000,00		
70CP200	700	2000	0,5	84 – 92	3600	1	27200,00	31200,00		
90CP240	900	2400	0,5	112 – 122	4800	1	38400,00	42600,00		

Specification can be changed without warning

Control panel complete with overpressure and vent valve, extension pipe 10m and gauge

820,00

PLUGS FOR LARGE DIAMETER series PILLOW



DESCRIPTION : Inflatable plug to temporarily block gravity-flow or test pipelines for large sections in compliance with the Regulations EN 1610 , manufactured out of high thickness and high resistance rubber , for pipes having internal diameter from mm up to mm



Price list 2022

model	pipe internal diameter		max back pressure bar	weight kg.	length mm.	inflation pressure bar	blocking plug		plug with by-pass 2"	
	minimum mm.	max mm.					Price Euro	Price Euro		
60PW100	595	1000	0,7	18 – 23	2100	1	5000,00	6000,00		
80PW120	795	1200	0,6	29 – 34	2500	0,9	7600,00	8500,00		
120PW160	1195	1600	0,5	51 – 57	3200	0,8	12600,00	14400,00		
160PW200	1595	2000	0,4	86 – 92	4000	0,6	16000,00	17000,00		
190PW220	1900	2200	0,3	100 – 110	4800	0,5	20000,00	21500,00		
240PW250	2400	2500	0,3	222 – 234	5600	0,5	26800,00	28900,00		

Specification can be changed without warning

Control panel complete with overpressure and vent valve, extension pipe 10m and gauge

820,00

PLUGS FOR GRAVITY OVOID DUCTS



model EI



model EI P



Control panel GEKA



DESCRIPTION : Inflatable plug with ovoid section for the temporary closure or testing of gravity pipes having a body made of rubber or very thick fabric for pipes with a section of with by-pass from

Price list 2022

model	pipe internal diameter		max back pressure bar	weight kg.	length mm.	inflation pressure bar	inflation valve type	blocking plug		by-pass mm.	with by-pass 2"	
	minimum mm.	max mm.						Price Euro	Price Euro			
EI 1	200/300	250/375	0,5	7 – 10	600	1,5	26	2000,00	2600,00	2"		2600,00
EI 2	300/450	350/525	0,5	15 – 18	700	1,5	26	2500,00	3100,00	3"		3100,00
EI 3-P*1	400/600	500/750	0,5	20 – 26	1800	1,3	GEKA R1/2"	3600,00	4500,00	2"		4500,00
EI 3-P*2	600/900	600/900	0,5	27 – 32	1800	1,3	GEKA R1/2"	4100,00	5200,00	2"		5200,00
EI 4-P*	700/1050	800/1200	0,5	36 – 42	2300	0,9	GEKA R1/2"	6700,00	7800,00	2"		7800,00
EI 5-P*	900/1350	1000/1500	0,5	54 – 61	2900	0,8	GEKA R1/2"	9600,00	10900,00	2"		10900,00
EI 6-P*	1200/1800	1400/2100	0,4	93 – 101	3400	0,6	GEKA R1/2"	14400,00	15000,00	2"		15000,00

*P – series pillow

Specification can be changed without warning

Control panel complete with overpressure and vent valve, extension pipe 10m and gauge with valve type 26

Control panel complete with overpressure and vent valve, extension pipe 10m and gauge with valve type GEKA

360,00

820,00

MECHANICAL PLUGS FOR NON PRESSURE PIPE



model CAM

DESCRIPTION : quick coupling and release mechanical shutter with discharge by-pass, suitable for insertion in limited spaces due to temporary obstruction of non-pressurized fluids or as plugs to preserve the pipelines during processing; body in nylon reinforced with glass fibers (model CAM) or in aluminum and steel coated in epoxy (model ALU) with very thick EPDM rubber gasket; quick release system using a rope or other suitable means to operate at a safe distance; for pipelines with internal diameter from mm to mm and by-pass from



model ALU

Price list CAM 2022

model	pipe internal diameter		by-pass Ø	pressure max bar	weight kg	Price Euro
	min mm	max mm				
CAM90	90	97	1/2"	0,5	0,2	62,00
CAM100	96	103	1/2"	0,5	0,2	62,00
CAM105	102	107	1/2"	0,5	0,3	62,00
CAM110	108	112	1/2"	0,5	0,3	70,00
CAM120	116	123	1/2"	0,5	0,3	70,00
CAM130	125	132	1/2"	0,5	0,4	70,00
CAM140	136	142	1/2"	0,5	0,4	70,00
CAM145	144	149	1/2"	0,5	0,5	70,00
CAM150	147	153	1/2"	0,5	0,5	70,00
CAM160	157	162	1/2"	0,5	0,5	78,00

Specification can be changed without warning

Price list ALU 2022

model	pipe internal diameter		by-pass Ø	pressure max bar	weight kg	Price Euro
	min mm	max mm				
ALU205	185	210	1"	0,5	3	240,00
ALU215	195	220	1"	0,5	3,3	270,00
ALU225	205	235	1"	0,5	3,3	270,00
ALU250	220	250	1"	0,5	3,3	270,00
ALU270	240	270	1"	0,5	4	280,00
ALU300	280	310	1"	0,5	5	310,00
ALU315	293	323	1"	0,5	5	320,00
ALU350	325	350	1"	0,3	5,3	420,00
ALU375	352	382	1"	0,3	7	420,00
ALU400	375	400	1"	0,3	7	420,00
ALU420	400	425	1"	0,3	8	460,00
ALU470	449	474	1"	0,3	10	460,00
ALU520	496	521	1"	0,3	13	820,00

CAM SEQUENCE OF ASSEMBLY AND DISASSEMBLY



ALU SEQUENCE OF ASSEMBLY AND DISASSEMBLY



PNEUMATIC PLUGS series VJ FOR TESTING WELLS AND TANKS

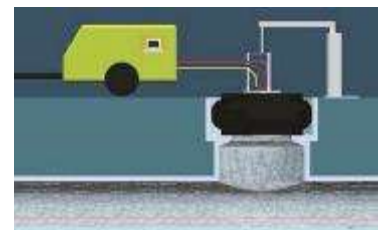
DESCRIPTION : flask for obturation and manhole testing in wells or tanks having a body made of very thick rubber or fabric with 2 "female by-pass, for a span of mm



Price list 2022

model	size		max back pressure bar	weight kg.	hight mm.	inflation pressure bar	Price Euro
	minimum mm.	max mm.					
60VJ65	590	650	0,3	16	360	1,5	3800,00
70VJ70	690	700	0,1	4	200	0,5	4200,00
80VJ80	780	800	0,1	5	200	0,5	5000,00
100VJ100	980	1000	0,1	7	200	0,5	6500,00

Specification can be changed without warning



MECHANICAL PLUGS FOR MEDIUM AND LOW GAS AND WATER PRESSURE



blocking plug TMA



blocking plug TMB



blocking plug TMC



plug with by-pass

DESCRIPTION : mechanical shutter pistons with (single, double, triple) sealing ring for the temporary closure and testing of medium and low pressure pipelines of liquid and gaseous fluids or as plugs to preserve the pipelines during the processing; body made of turned anticorodal aluminum, gasket in natural rubber with rounded anti-cut edges, U-shaped steel closing handle to facilitate assembly and disassembly with thrust bearing system; for pipelines with internal diameter from..... mm up to mm; series (blocking plug - plug with by-pass)

Plug with one sealing ring - Price list 2022

pipe internal diameter		RING N°	pressure max* bar	blocking plug		plug with by-pass		
min mm	max mm			model	Price euro	model	by-pass	Price euro
49	60	1	4	TMA 60	160,00	TBA 60	1/4"	310,00
63	77	1	4	TMA 77	170,00	TBA 77	1/4"	330,00
75	90	1	3,8	TMA 90	190,00	TBA 90	1/4"	360,00
87	105	1	3,6	TMA 105	240,00	TBA 105	1/4"	390,00
94	110	1	3,5	TMA 110	250,00	TBA 110	1/4"	400,00
111	125	1	3,2	TMA 125	270,00	TBA 125	1/4"	430,00
118	140	1	3,2	TMA 140	280,00	TBA 140	1/4"	440,00
129	153	1	3	TMA 153	290,00	TBA 153	1/4"	450,00
139	172	1	3	TMA 172	300,00	TBA 172	1/4"	460,00
160	193	1	2,5	TMA 193	320,00	TBA 193	3/8"	500,00
189	228	1	2,2	TMA 228	340,00	TBA 228	3/8"	550,00
209	250	1	1,9	TMA 250	580,00	TBA 250	3/8"	820,00
239	290	1	1,6	TMA 290	740,00	TBA 290	1/2"	1020,00
278	330	1	1	TMA 330	820,00	TBA 330	1/2"	1400,00

Plug with two sealing rings - Price list 2022

pipe internal diameter		RING N°	pressure max* bar	blocking plug		plug with by-pass		
min mm	max mm			model	Price euro	model	by-pass	Price euro
49	60	2	8	TMB 60	250,00	TBB 60	1/4"	410,00
63	77	2	8	TMB 77	260,00	TBB 77	1/4"	430,00
75	90	2	7	TMB 90	290,00	TBB 90	1/4"	460,00
87	105	2	6,5	TMB 105	350,00	TBB 105	1/4"	500,00
94	110	2	6,2	TMB 110	370,00	TBB 110	1/4"	510,00
111	125	2	6	TMB 125	430,00	TBB 125	1/4"	550,00
118	140	2	6	TMB 140	440,00	TBB 140	1/4"	560,00
129	153	2	5,5	TMB 153	450,00	TBB 153	1/4"	580,00
139	172	2	5,5	TMB 172	460,00	TBB 172	1/4"	600,00
160	193	2	5	TMB 193	470,00	TBB 193	3/8"	660,00
189	228	2	4,2	TMB 228	500,00	TBB 228	3/8"	730,00
209	250	2	3,5	TMB 250	670,00	TBB 250	3/8"	1060,00
239	290	2	3,2	TMB 290	880,00	TBB 290	1/2"	1550,00
278	330	2	2	TMB 330	1100,00	TBB 330	1/2"	1960,00

Plug with three sealing rings - Price list 2022

pipe internal diameter		RING N°	pressure max* bar	blocking plug		plug with by-pass		
min mm	max mm			model	Price euro	model	by-pass	Price euro
49	60	3	10	TMC 60	320,00	TBC 60	1/4"	480,00
63	77	3	10	TMC 77	340,00	TBC 77	1/4"	500,00
75	90	3	9	TMC 90	380,00	TBC 90	1/4"	520,00
87	105	3	8,5	TMC 105	440,00	TBC 105	1/4"	560,00
94	110	3	8	TMC 110	460,00	TBC 110	1/4"	580,00
111	125	3	7,5	TMC 125	540,00	TBC 125	1/4"	700,00
118	140	3	7,5	TMC 140	550,00	TBC 140	1/4"	710,00
129	153	3	7	TMC 153	560,00	TBC 153	1/4"	720,00
139	172	3	7	TMC 172	570,00	TBC 172	1/4"	740,00
160	193	3	6,5	TMC 193	620,00	TBC 193	3/8"	800,00
189	228	3	6	TMC 228	680,00	TBC 228	3/8"	920,00
209	250	3	5	TMC 250	940,00	TBC 250	3/8"	1340,00
239	290	3	4,5	TMC 290	1300,00	TBC 290	1/2"	1720,00
278	330	3	3	TMC 330	1440,00	TBC 330	1/2"	2280,00

* the pressure values are approximate and may vary depending on the type of pipe used, its roughness, its use whether on the minimum or maximum of the excursion; it is a good idea to always anchor the caps when used under pressure